

**Speaker**

**Model: OSS48-5017-10A2.0W4-C**



**ELECTRICAL SPECIFICATIONS**

	Condition	Parameter	Unit
Sound Pressure Level	at 1W, 0.1M [at 2.0, 4.0, 6.0, 8.0KHz]	92 ± 3	dB
Impedance	at 1V, 2500Hz	4 ± 15%	Ω
Rated Input Power		2	W
Max Input Power		3	W
Resonant Frequency (Fo)	at 1V	1200 ± 20%	Hz
Frequency Range		800 ~ 20000	Hz
Buzzer & Rattles	not be audible at sine wave between 100 ~ 5KHz	2.83	V
Operating Temperature		-20 ~ 70	°C
Magnet		Nd-Fe-B	
Frame Material		ABS	
Cone Material		Cloth	
Weight		17	g

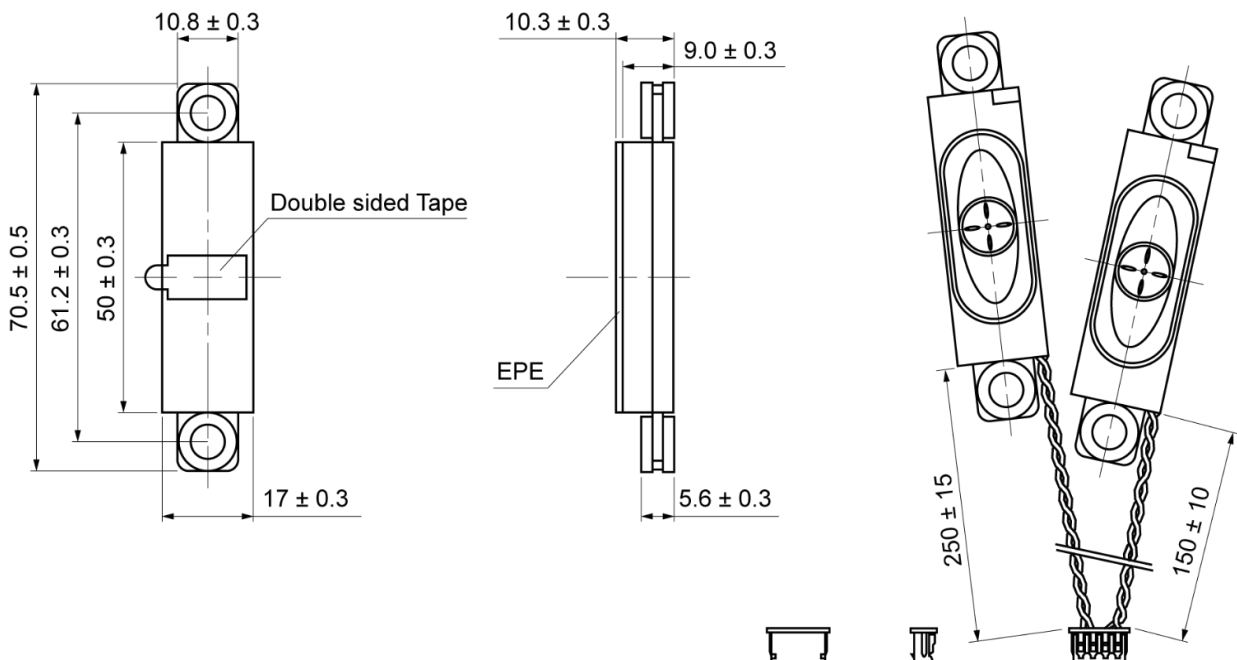
**MECHANICAL DRAWING**

Dimensions in mm

Wire: UL2468, AWG#28

Tolerance ±0.5mm Except Specified

Connector: JST PH2.0 4pin



**Speaker**

**Model: OSS48-5017-10A2.0W4-C**

**FREQUENCY RESPONSE CURVE**

**SPL**

